

Industrial homogeneizer

M.X.O.N.-M 120 (4, 5,5 and 7,5 kW)

DIMENSIONAL DRAWINGS BOOKLET



SEVEN

Legal information

Dimensional drawings booklet.

Original document, applicable for homogeneizer series M.X.O.N.-M 120 with motor powers of 4, 5,5 and 7,5 kW.

All rights reserved. The disclosure, reproduction or modification of this document without the express permission of SEVEN is prohibited.

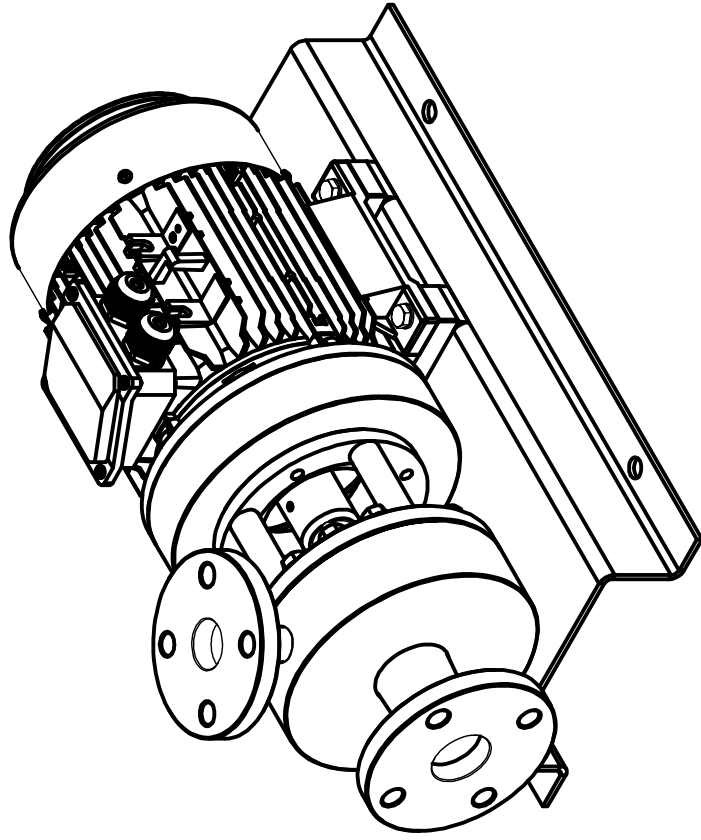
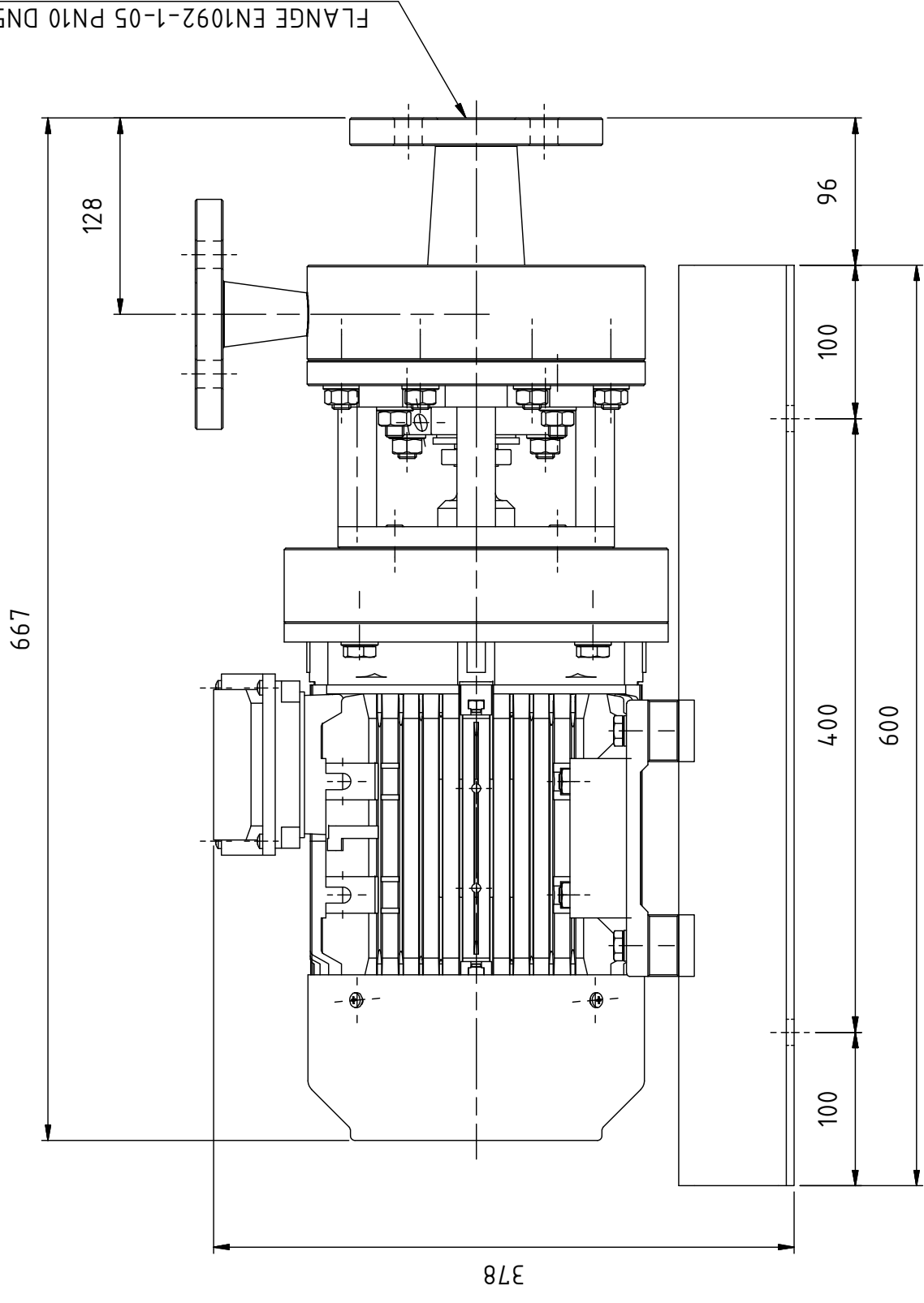
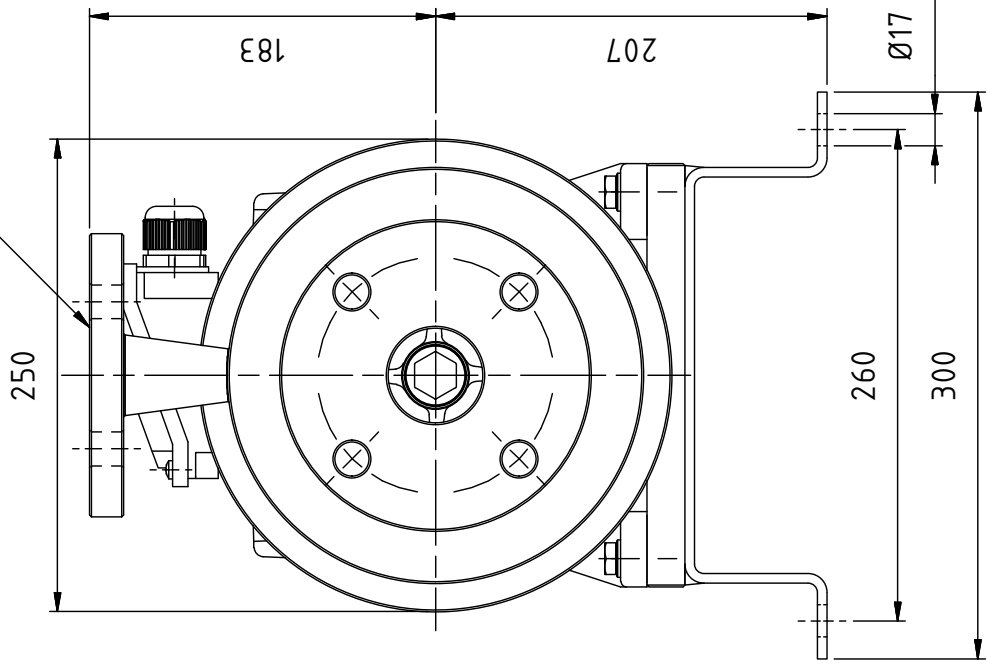
Reserved the right of making modifications.

© SEVEN PUMPS & MIXERS, S.L.

CONTENTS

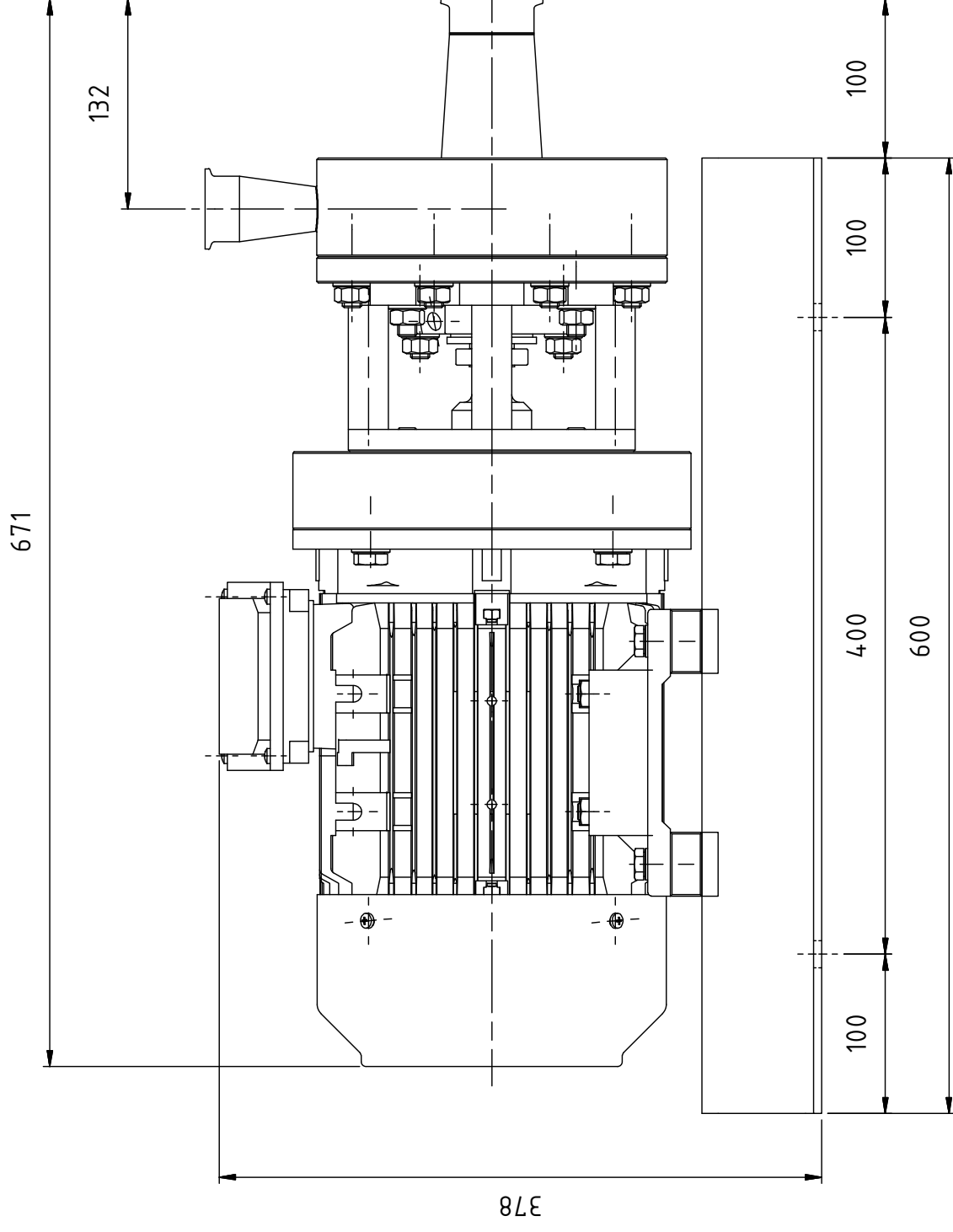
1. M.X.O.N.-M 120-1-RE-BE2-X-4
2. M.X.O.N.-M 120-3-RE-BE2-X-4
3. M.X.O.N.-M 120-1-RE-BE2-X-5,5/7,5
4. M.X.O.N.-M 120-3-RE-BE2-X-5,5/7,5

FLANGE EN1092-1-05 PN10 DN40

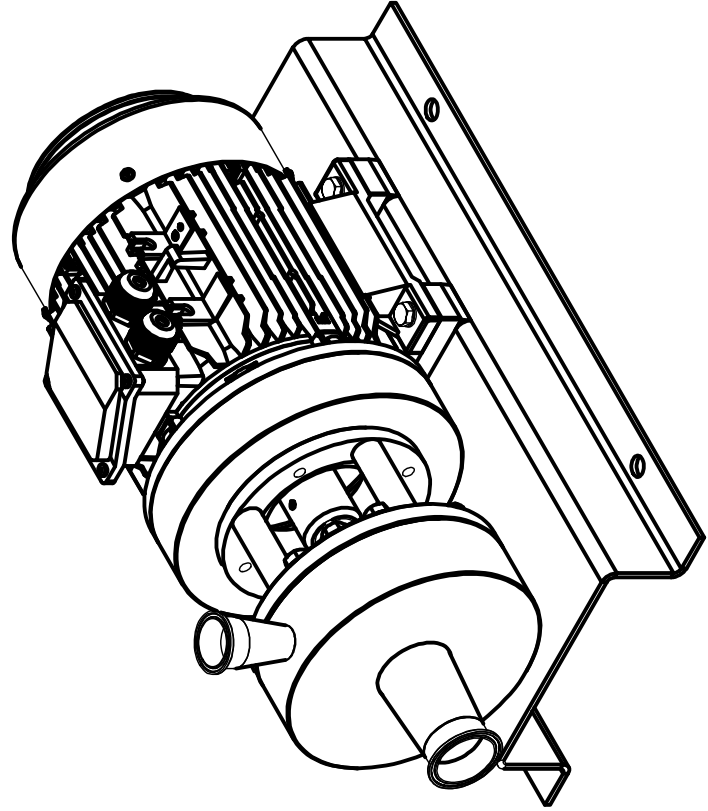
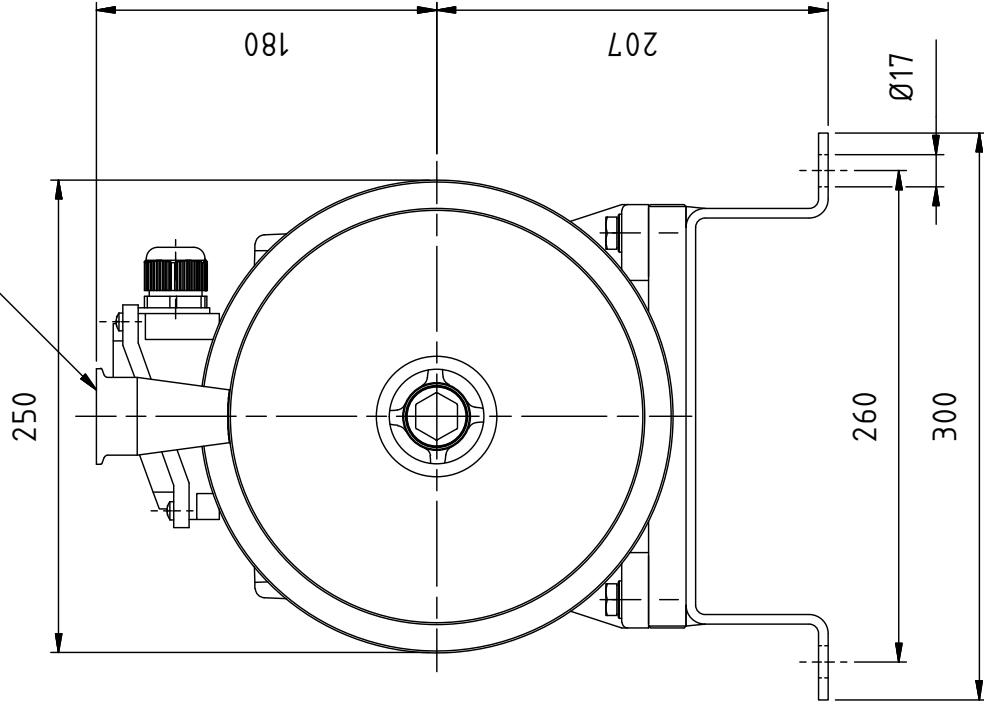


Scale	1 : 4	Description	Homogenizer Ø120 monoblock	Name	Santi Parera	Date	20/05/2024
				Drawn by:	Santi Parera	Check by:	
	A3			Entity name SEVEN SEVEN PUMPS & MIXERS, S.L.			
		Drawing code	M.X.O.N.-M 120-1-RE-BE2-()-4				

CLAMP DIN32676-A DN50 - 64 x 53

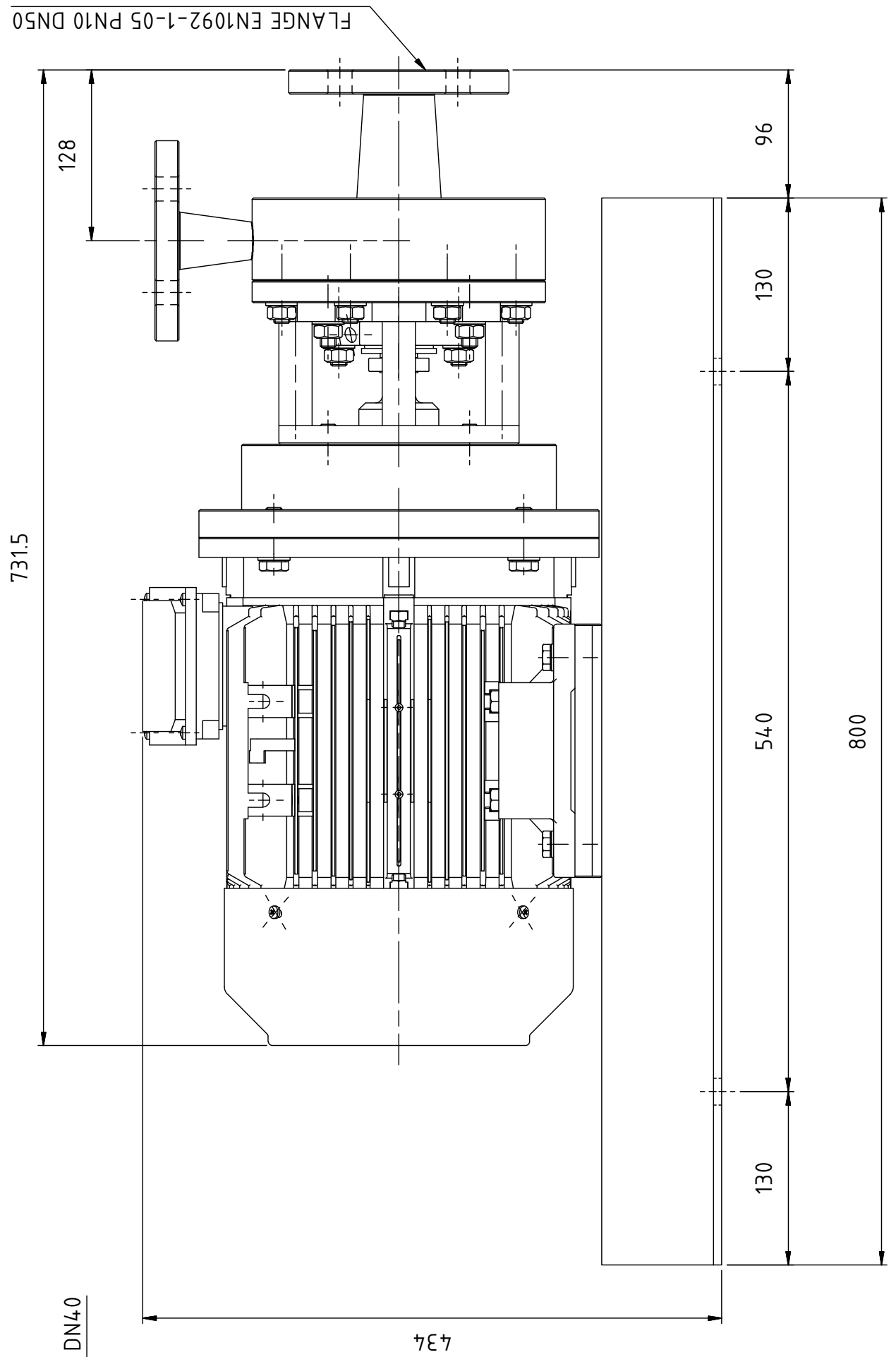


CLAMP DIN32676-A DN40 - 50,5 x 41

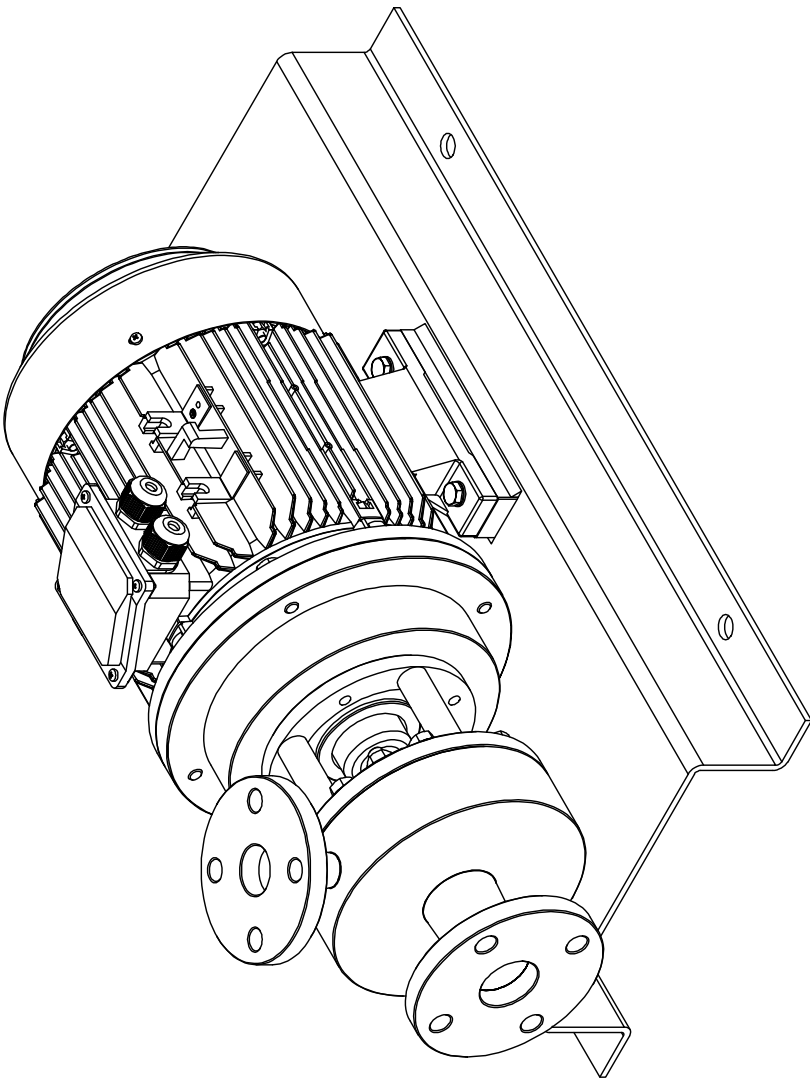
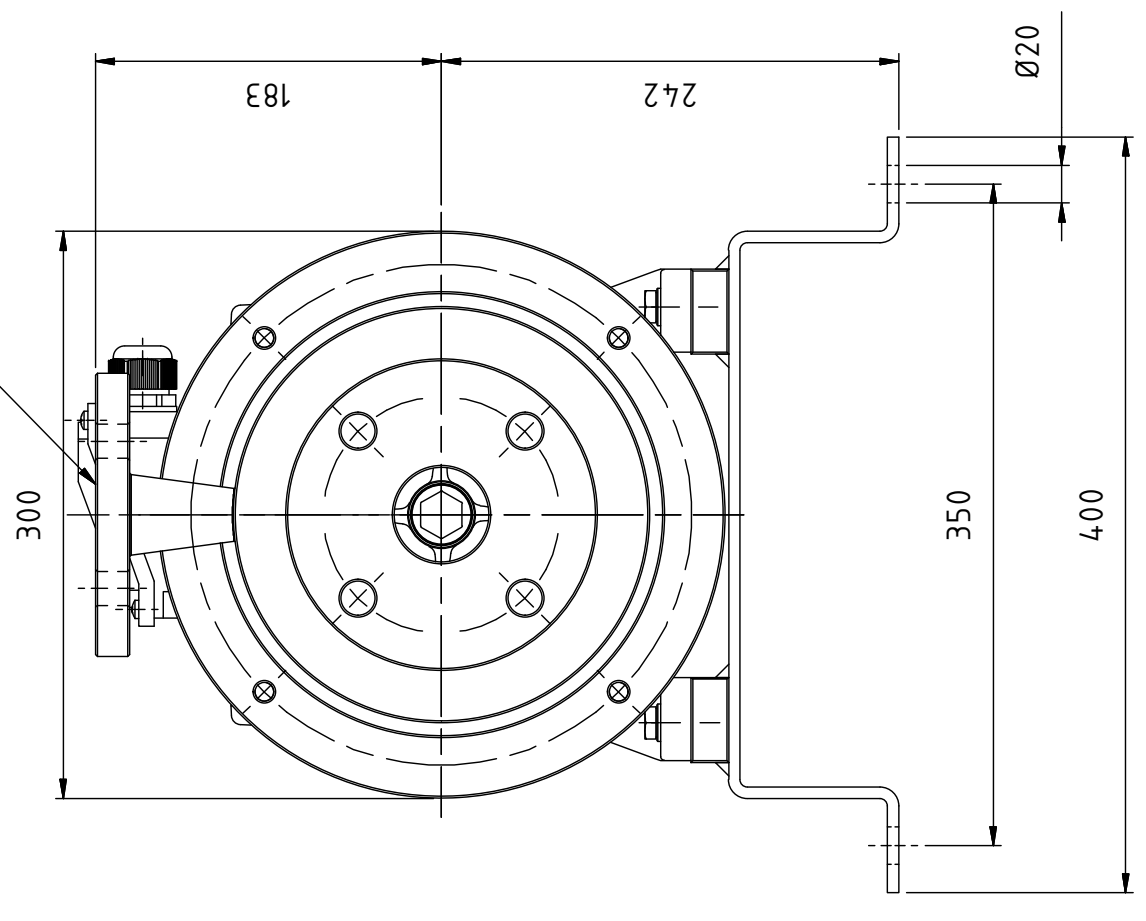


Scale	1 : 4	Description	Homogenizer Ø120 monoblock	Name	Santi Parera	Date	20/05/2024
				Drawn by:	Santi Parera	Check by:	
				Entity name			
				SEVEN			
				SEVEN PUMPS & MIXERS, S.L.			
				Drawing code			
				M.X.O.N.-M 120-3-RE-BE2-()-4			

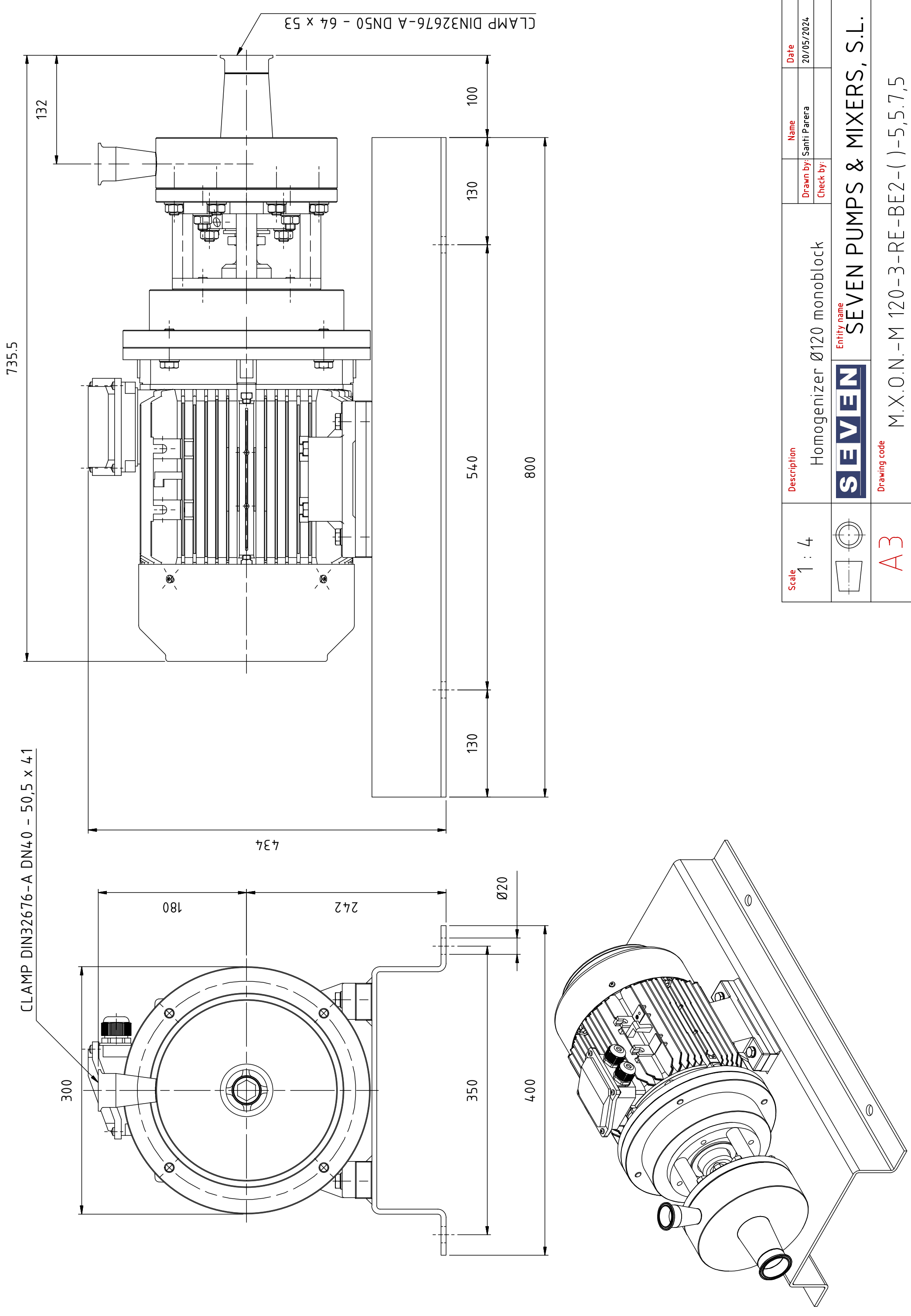
A3



FLANGE EN1092-1-05 PN10 DN40



Scale	1 : 4	Description	Homogenizer Ø120 monoblock	Name	Santi Parera	Date	20/05/2024
				Drawn by:	Santi Parera		
				Check by:			
				Entity name	SEVEN PUMPS & MIXERS, S.L.		
				Drawing code	M.X.O.N.-M 120-1-RE-BE2-()-5,5,7,5		



Scale	1 : 4	Description	Homogenizer Ø120 monoblock	Name	Santi Parera	Date	20/05/2024
				Drawn by:	Santi Parera	Check by:	
				Entity name	SEVEN PUMPS & MIXERS, S.L.		
				Drawing code	M.X.O.N.-M 120-3-RE-BE2-()-5,5,7,5		
					A3		



SEVEN PUMPS & MIXERS, S.L.
08227 Terrassa • Avda. Del Vallès, N° 724-I • Barcelona (ESPAÑA)
Tel.: +34 93 734 94 81 • Fax.: +34 93 735 03 56
www.sevensl.com