

Industrial homogeneizer

M.X.O.N.-M 145 (5,5, 7,5 and 11 kW)

**DIMENSIONAL DRAWINGS BOOKLET**



**SEVEN**

## **Legal information**

Dimensional drawings booklet.

Original document, applicable for homogeneizer series M.X.O.N.-M 145 with motor powers of 5,5, 7,5 and 11 kW.

All rights reserved. The disclosure, reproduction or modification of this document without the express permission of SEVEN is prohibited.

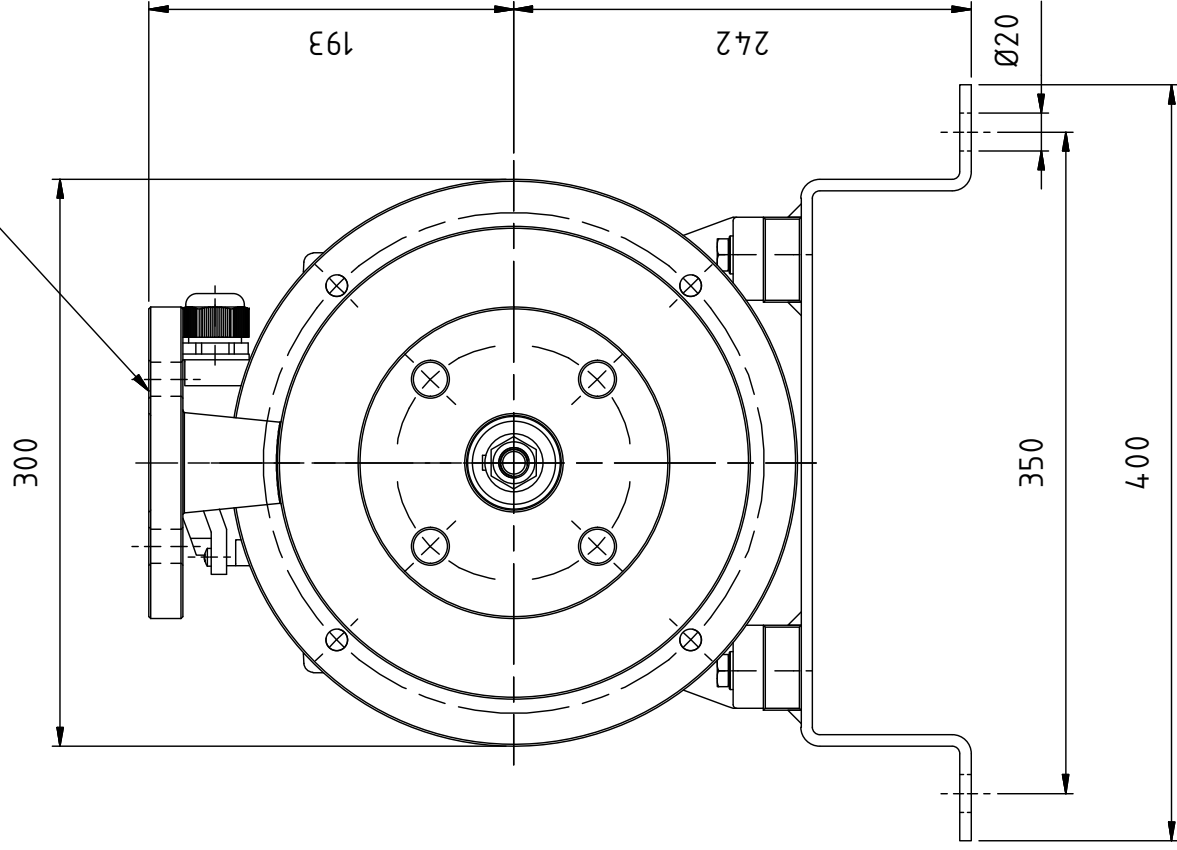
Reserved the right of making modifications.

© SEVEN PUMPS & MIXERS, S.L.

## CONTENTS

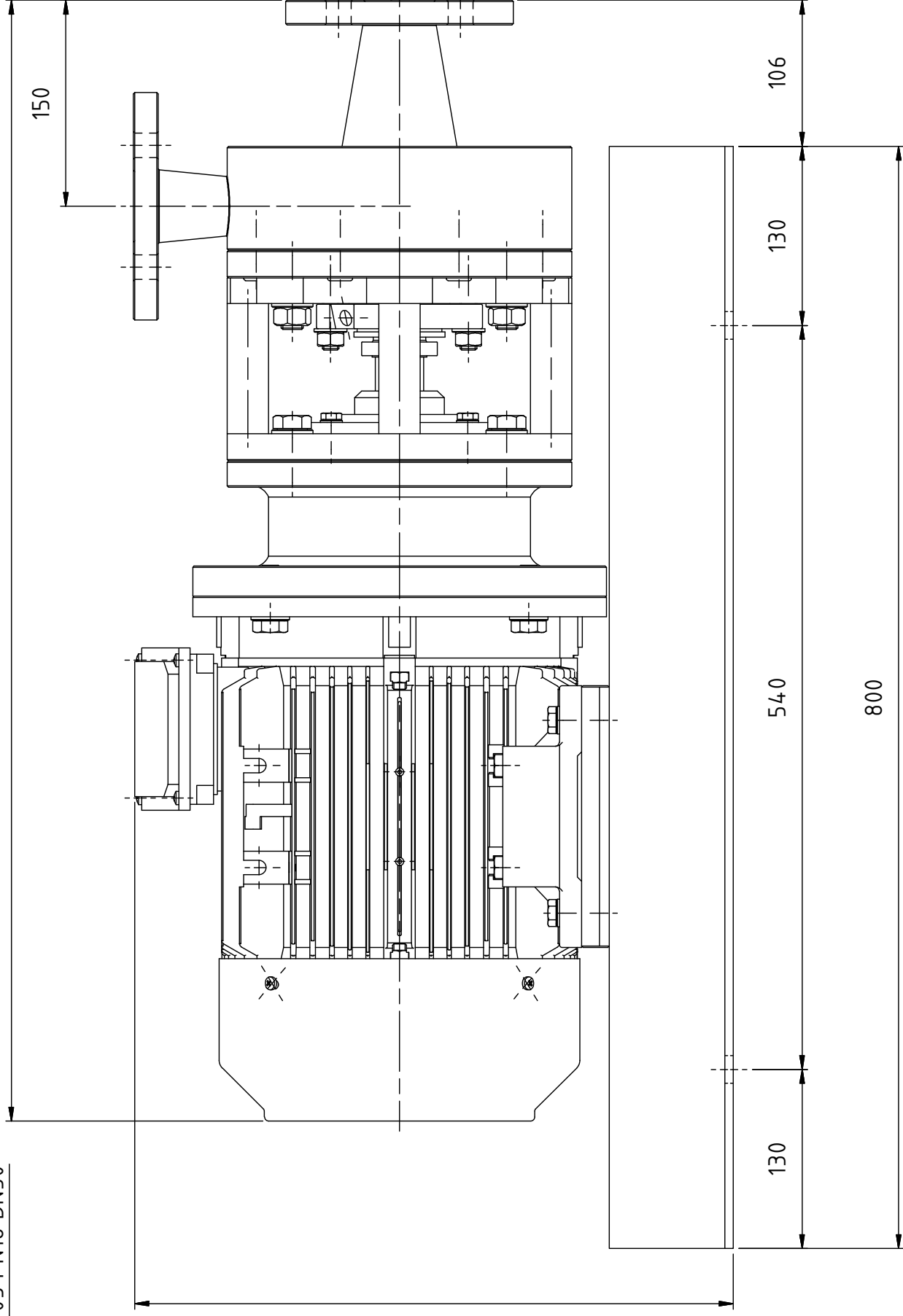
1. M.X.O.N.-M 145-1-RE-BE2-( )-5,5/7,5
2. M.X.O.N.-M 145-3-RE-BE2-( )-5,5/7,5
3. M.X.O.N.-M 145-1-RE-BE2-( )-11
4. M.X.O.N.-M 145-3-RE-BE2-( )-11

FLANGE EN1092-1-05 PN16 DN50

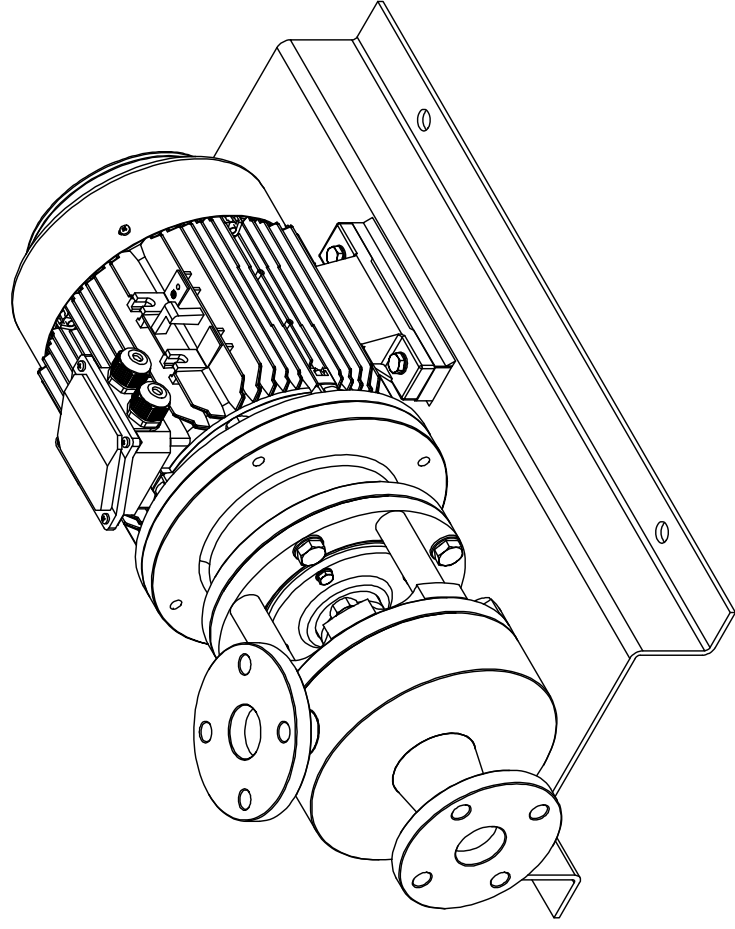


814

FLANGE EN1092-1-05 PN16 DN50



434



Scale

1 : 4

Description

Homogenizer Ø145 monoblock

Name

Santi Parera

Date

16/02/2021

Entity name

**SEVEN**

Entity name

SEVEN PUMPS & MIXERS, S.L.

Drawn by:

Santi Parera

Date

16/02/2021

Check by:

Santi Parera

Date

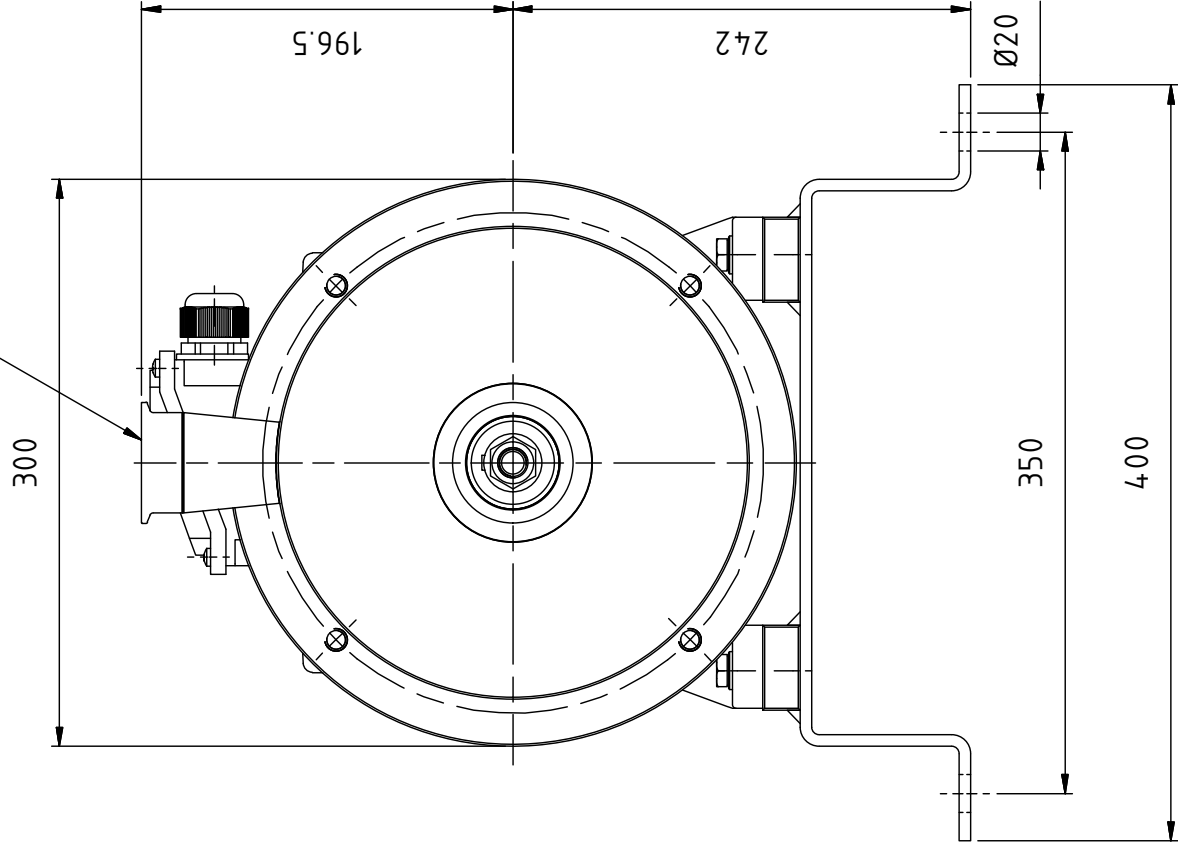
29/09/2023

A3

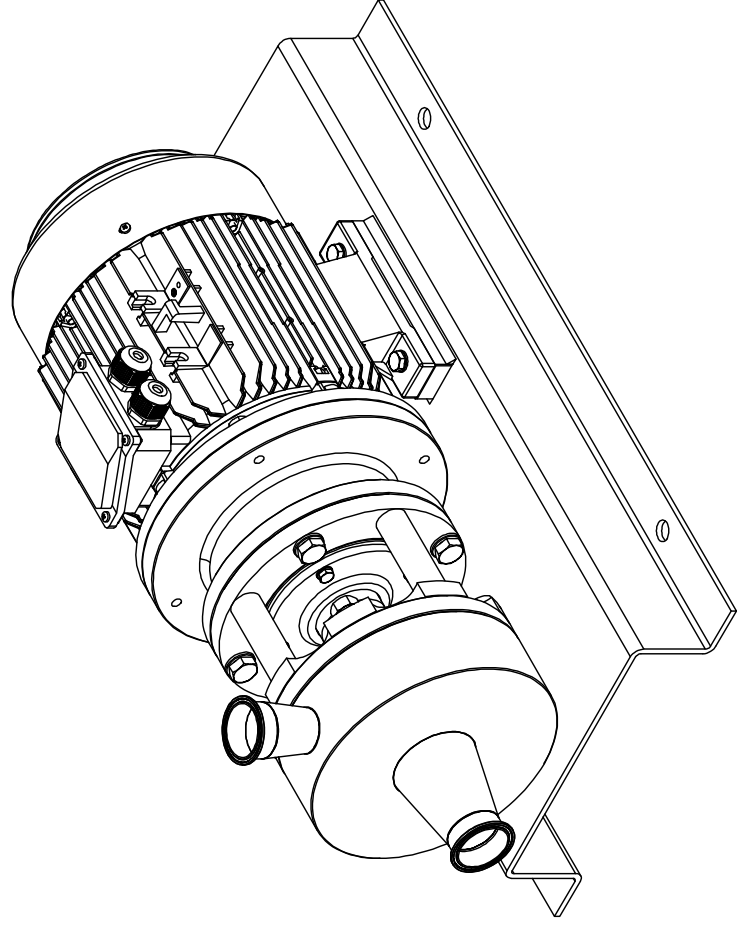
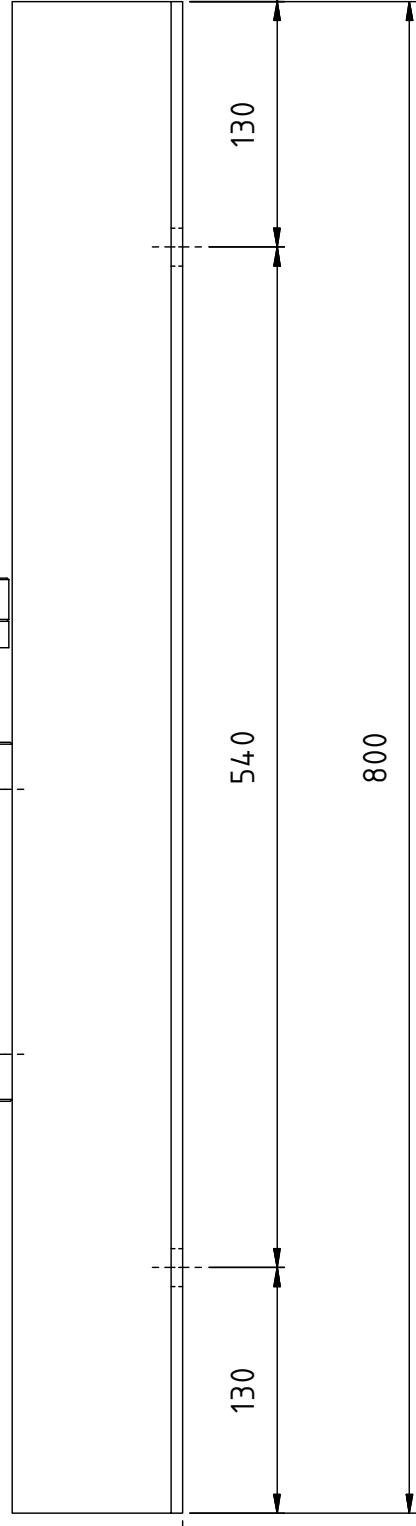
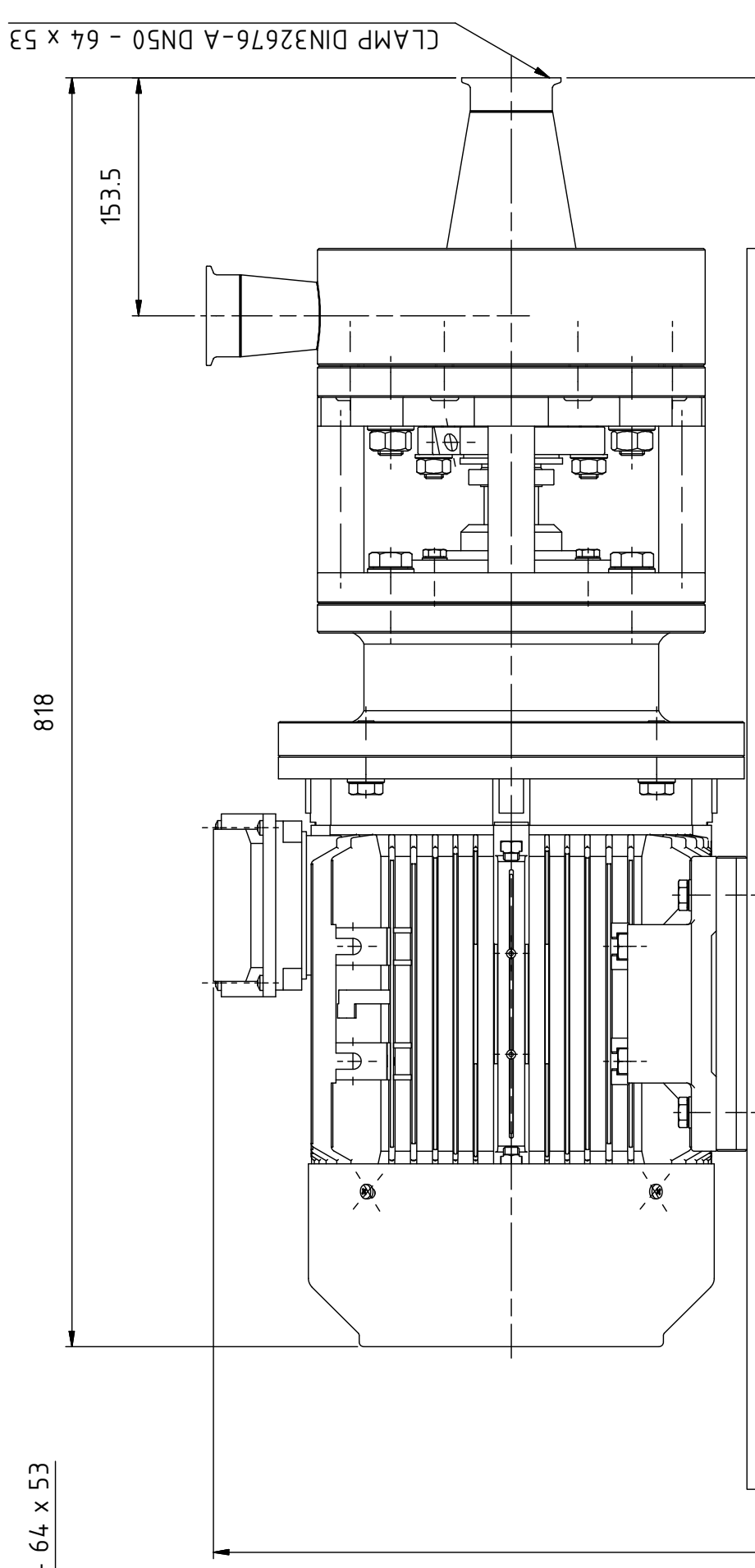
Drawing code

M.X.O.N.-M 145-1-RE-BE2-( )-5,5/7,5

CLAMP DIN32676-A DN50 - 64 x 53



818



Scale

1 : 4

Description

Homogenizer Ø145 monoblock

Name

Santi Parera

Date

02/10/2023

Check by:



**SEVEN**

Entity name

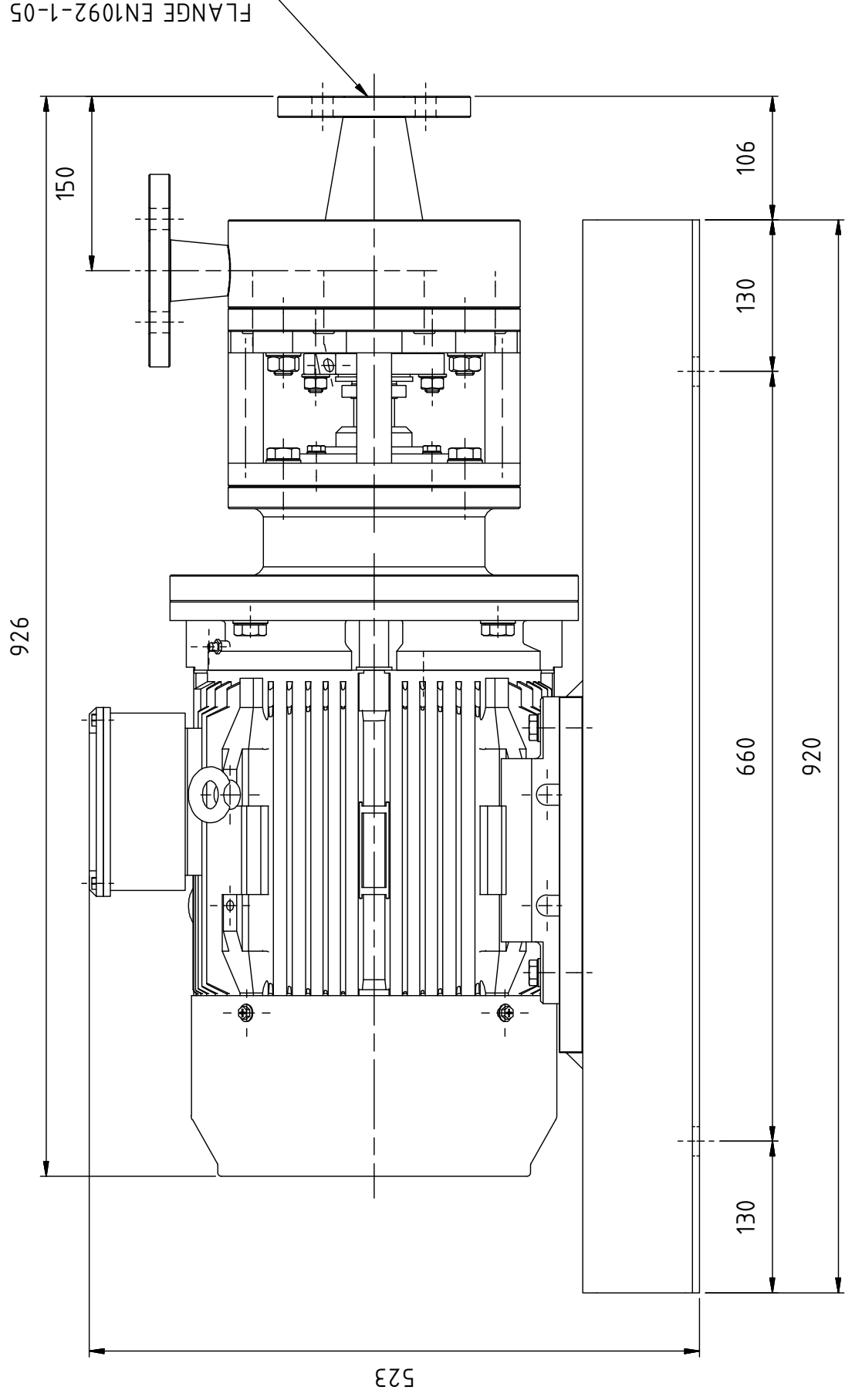
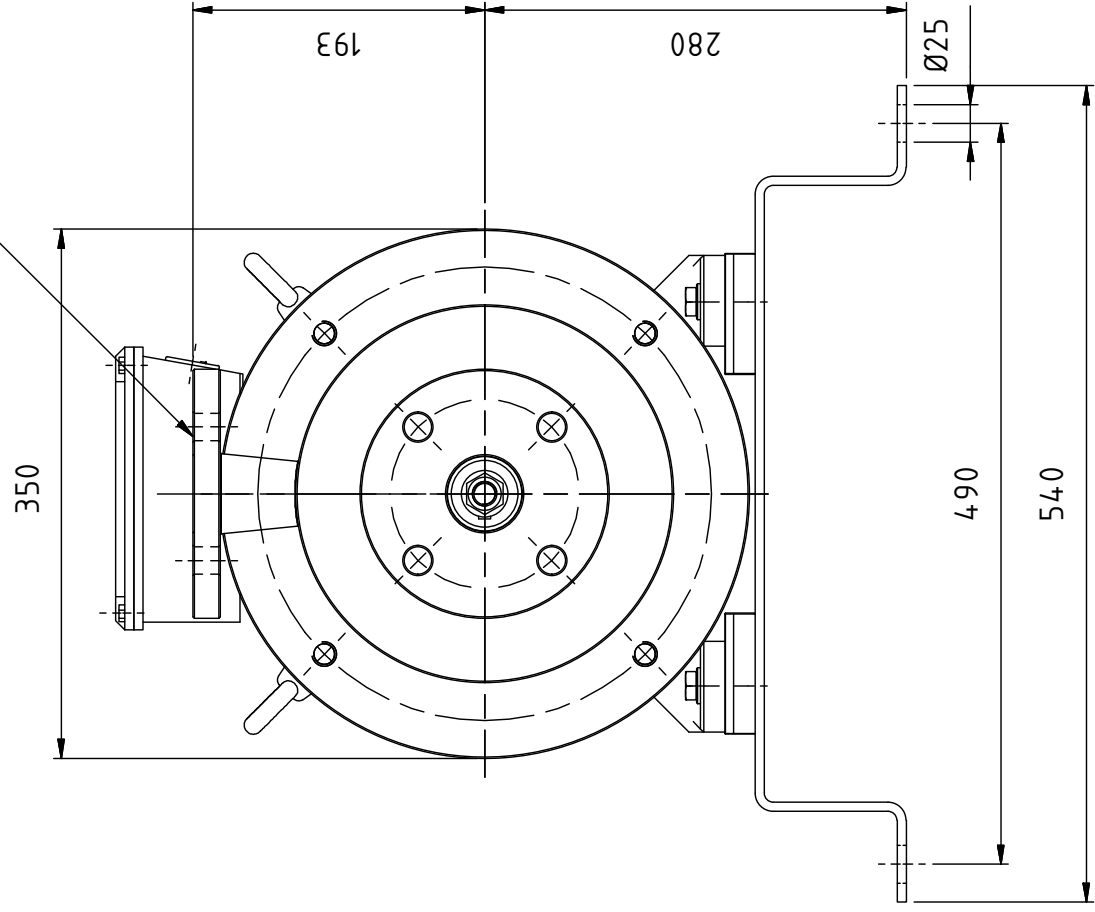
SEVEN PUMPS & MIXERS, S.L.

A3

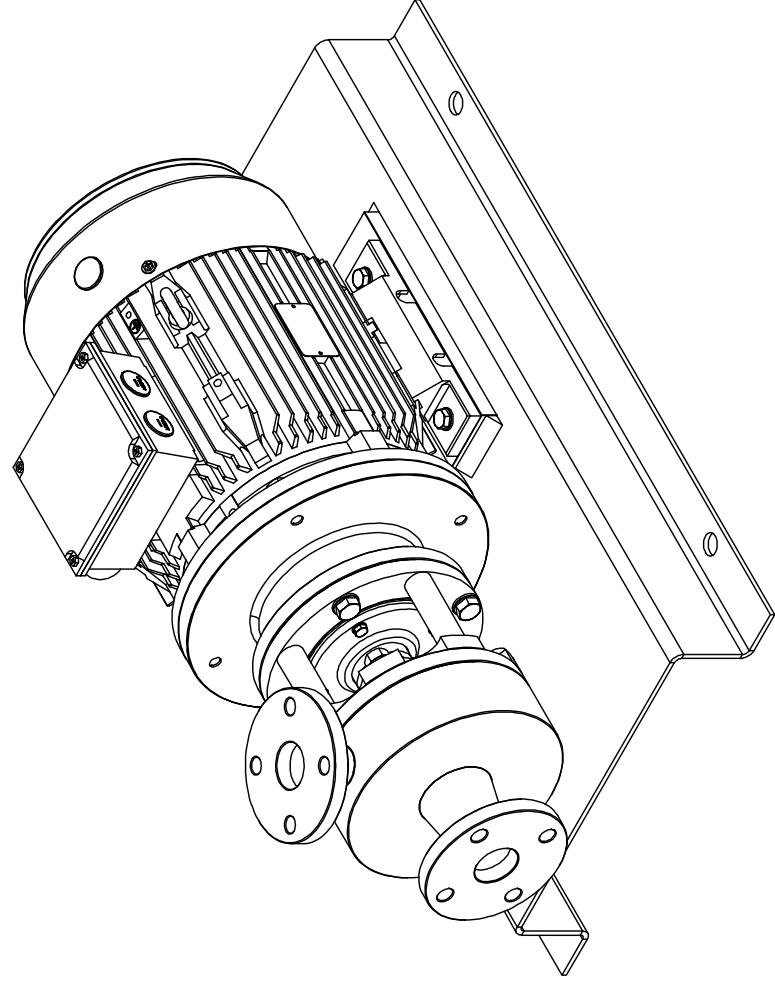
Drawing code

M.X.O.N.-M 145-3-RE-BE2-( )-5,5/7,5

FLANGE EN1092-1-05 PN16 DN50

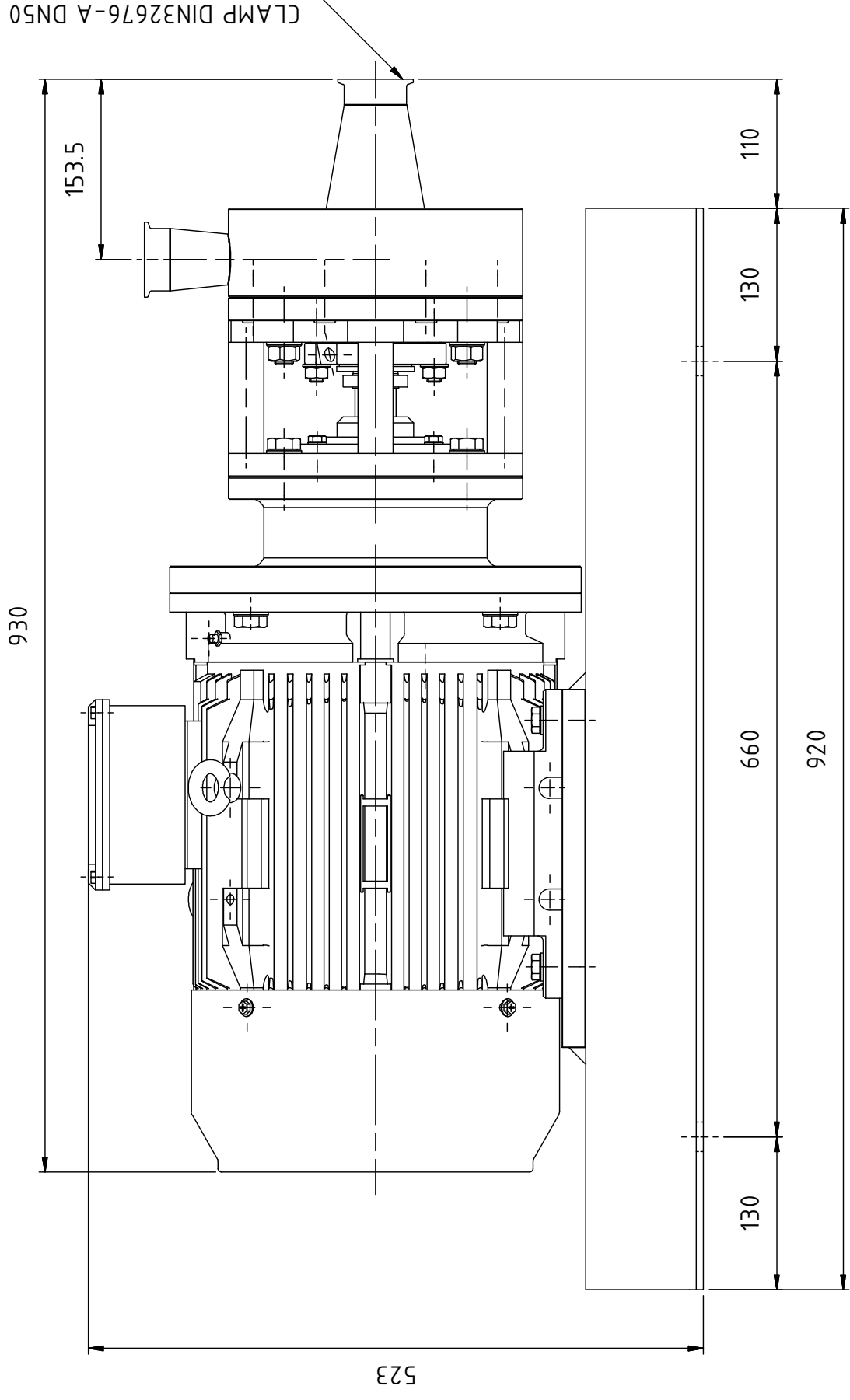
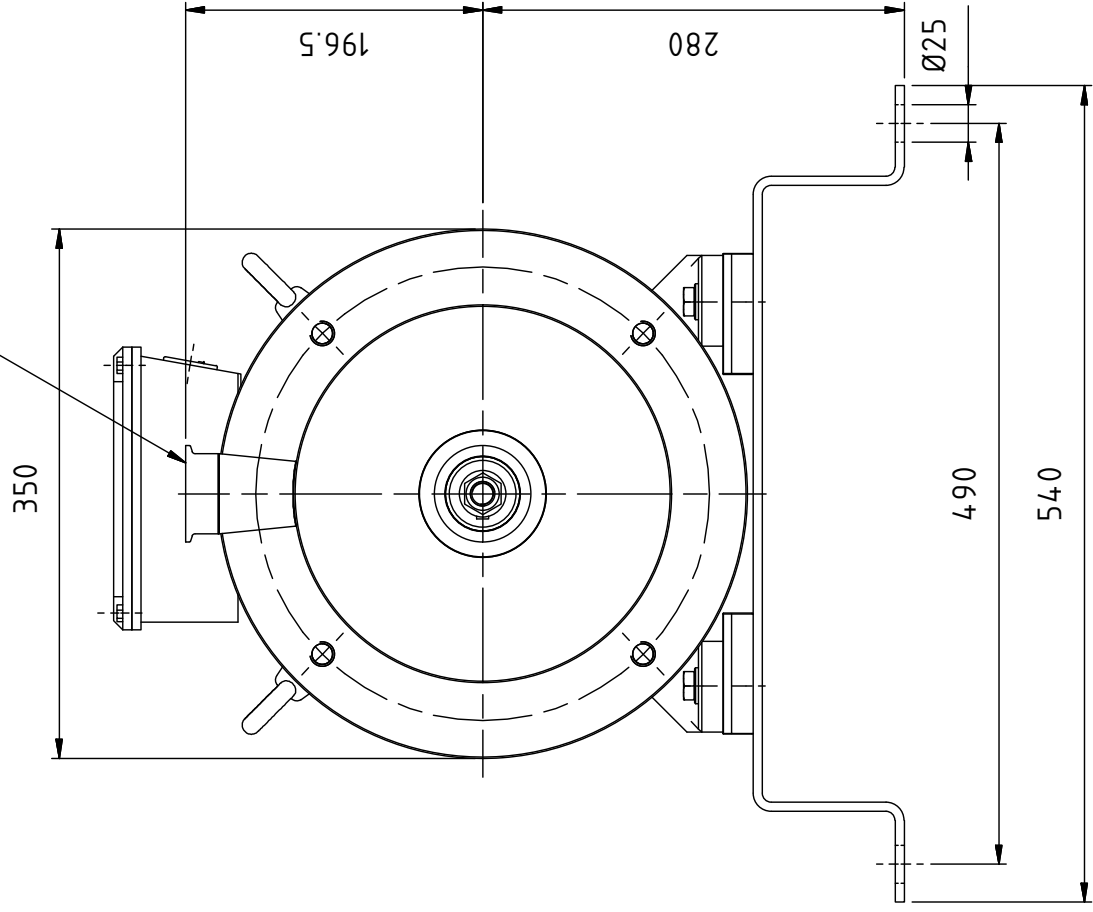


FLANGE EN1092-1-05 PN16 DN50

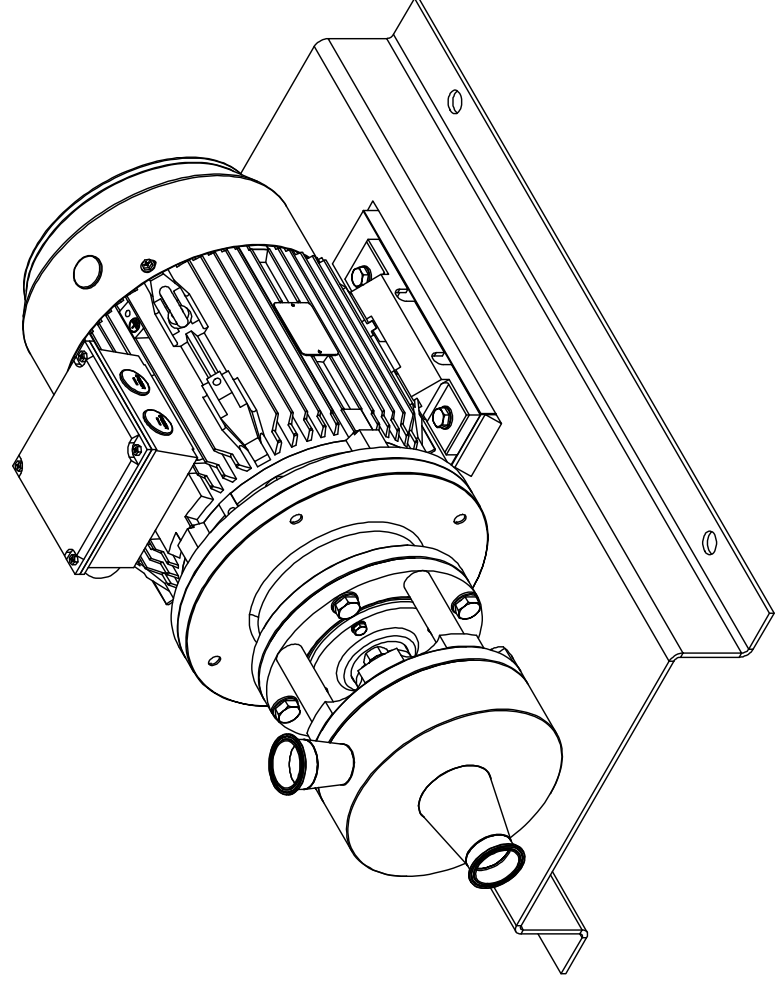


Scale	1 : 5	Description	Homogenizer Ø145 monoblock	Name	Santi Parera	Date	11/03/2024
				Drawn by:	Santi Parera	Check by:	
				Entity name <b>SEVEN</b> SEVEN PUMPS & MIXERS, S.L.			
				Drawing code M.X.O.N.-M 145-1-RE-BE2-( )-11			

CLAMP DIN32676-A DN50 - 64 x 53



CLAMP DIN32676-A DN50 - 64 x 53



Scale	1 : 5	Description	Homogenizer Ø145 monoblock	Name	Santi Parera	Date	11/03/2024
				Drawn by:	Santi Parera		
				Check by:			
				Entity name	SEVEN PUMPS & MIXERS, S.L.		
				Drawing code	M.X.O.N.-M 145-3-RE-BE2-( )-11		



SEVEN PUMPS & MIXERS, S.L.  
08227 Terrassa • Avda. Del Vallès, N° 724-I • Barcelona (ESPAÑA)  
Tel.: +34 93 734 94 81 • Fax.: +34 93 735 03 56  
[www.sevensl.com](http://www.sevensl.com)